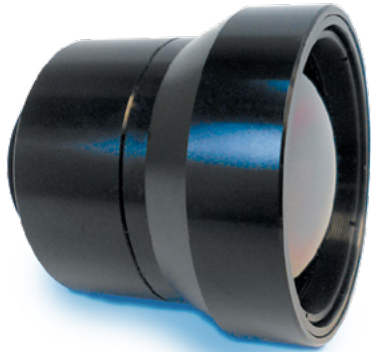
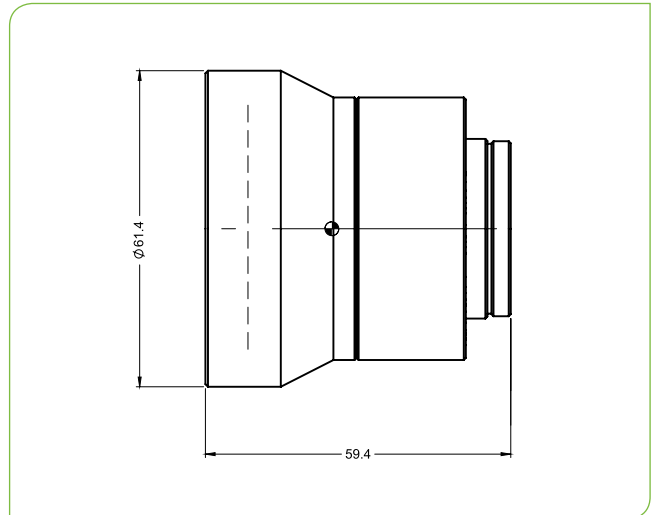


SupIR 60mm f/1.25, Fixed Athermalized 680260

TYPICAL ICD*



HD
FORMAT



LWIR | 1-FOV

| HFOV | 320x240 | 384x288 | 640x480 | 1024x768 |
|------|---------|---------|---------|----------|
| 17μ | 5.2° | 6.2° | 10.2° | |
| 12μ | 3.7° | 4.4° | 7.3° | 11.5° |

| Property | Value | | | | |
|-------------------------------|--------------------------|-------------------|--------------|---------------|----------------|
| Optical | | | | | |
| Focal Length | 60mm | | | | |
| F# | 1.25 | | | | |
| Average transmission (8-12μm) | 88% (HC) | | | | |
| Back Focal Length | 13.66mm in air | | | | |
| Mechanical | | | | | |
| Focus Mechanism | Fixed | | | | |
| Depth of Field | 160m to infinity | | | | |
| Focus Range | 2m to infinity | | | | |
| Weight | 227gr | | | | |
| Max. Dimensions | Ø61.4mm x 59.4mm | | | | |
| Environmental | | | | | |
| Operation Temperature | -40°C to +80°C | | | | |
| Storage Temperature | -54°C to +85°C | | | | |
| Sealing | IP 67 front element only | | | | |
| Configurations | Weight (gr) | Dimensions | BWD** | Thread | Coating |
| 680260-001 | 227 | Ø61.4mm x 59.4mm | 9.56 | M34x0.5 | HC |

* The ICD drawing provided here is primarily a representation and may not accurately reflect the product's actual dimensions and specifications. For precise integration specifications contact your local sales representative.

** The BWD value is calculated for a unique detector setup with varying sealing windows in terms of thickness and material. For more details, contact your local sales representative.